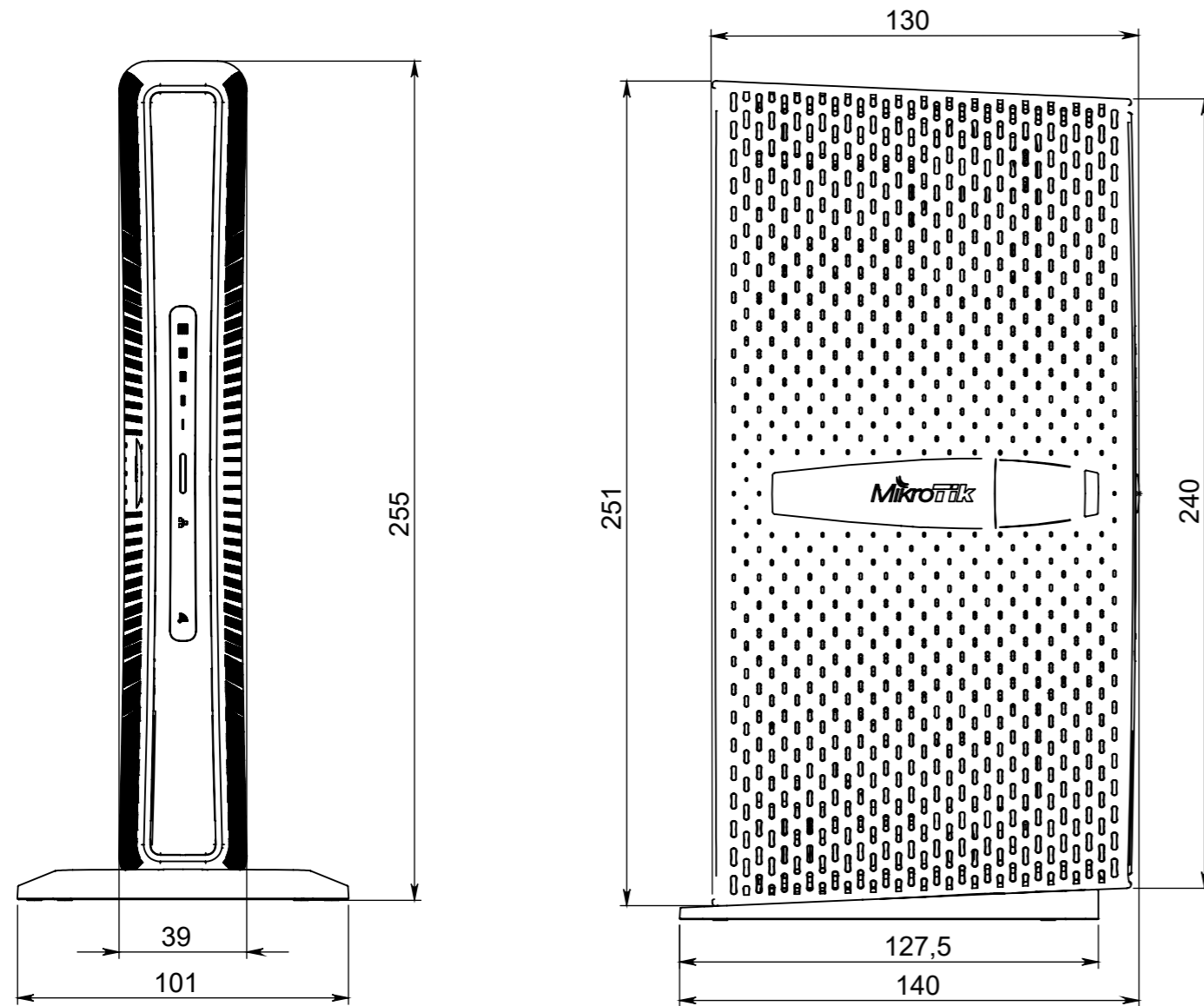
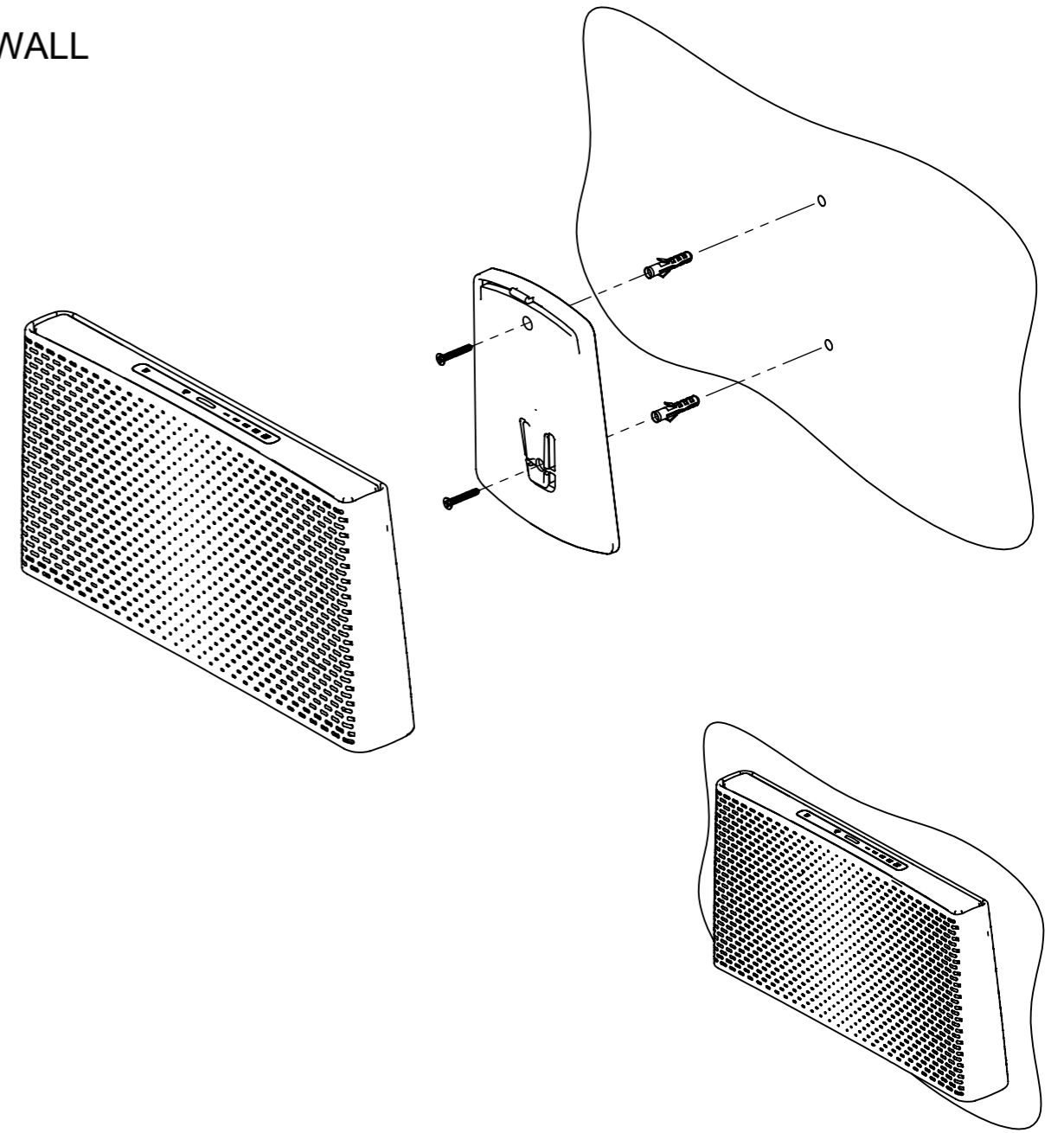


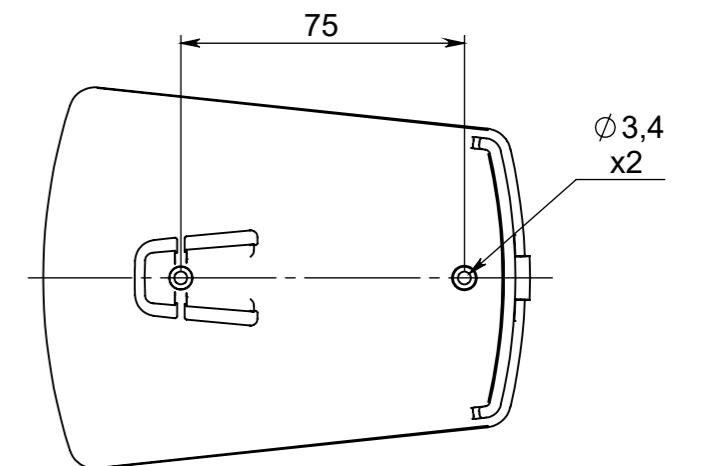
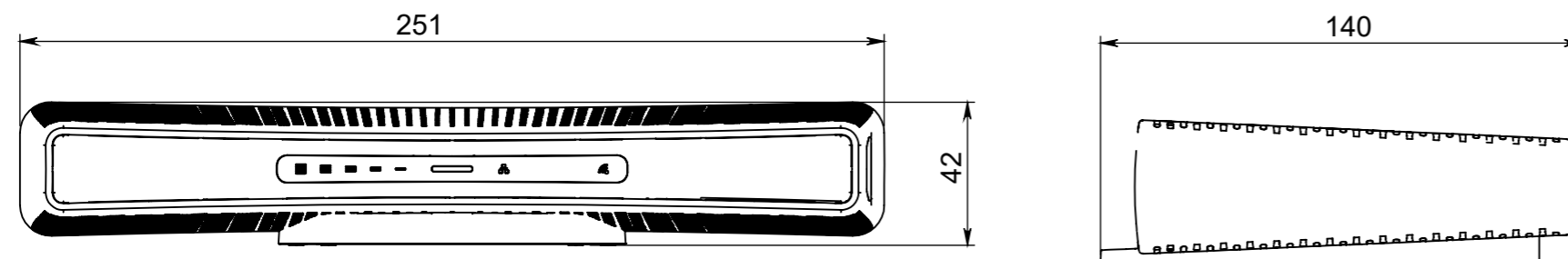
VERTICAL



WALL



HORIZONTAL



PRODUCT DIMENSIONS AND MOUNTING



hAP ac<sup>3</sup> LTE6 kit

DIMENSIONS ARE IN MILLIMETERS

Printed: 06.07.2020

