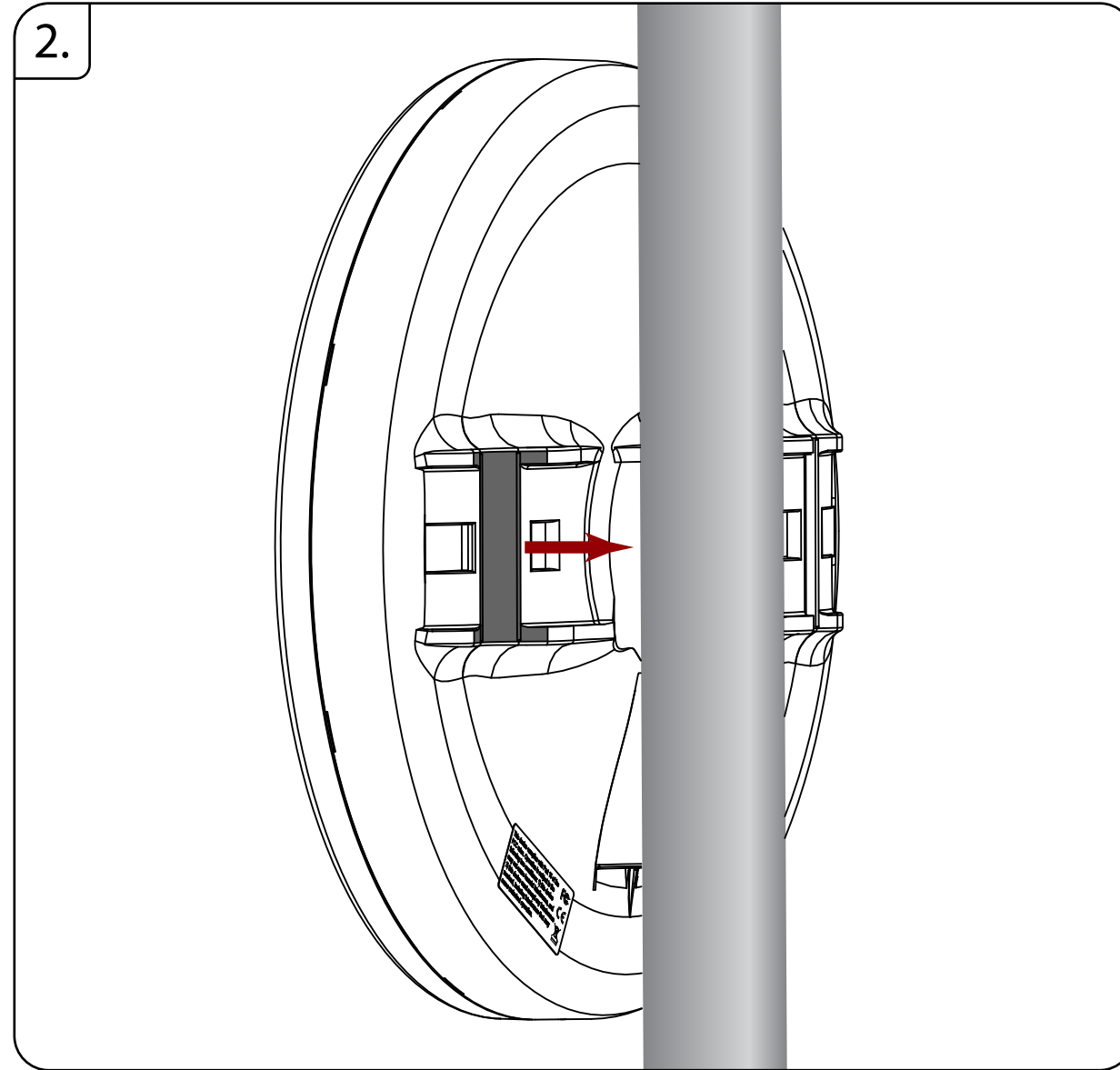
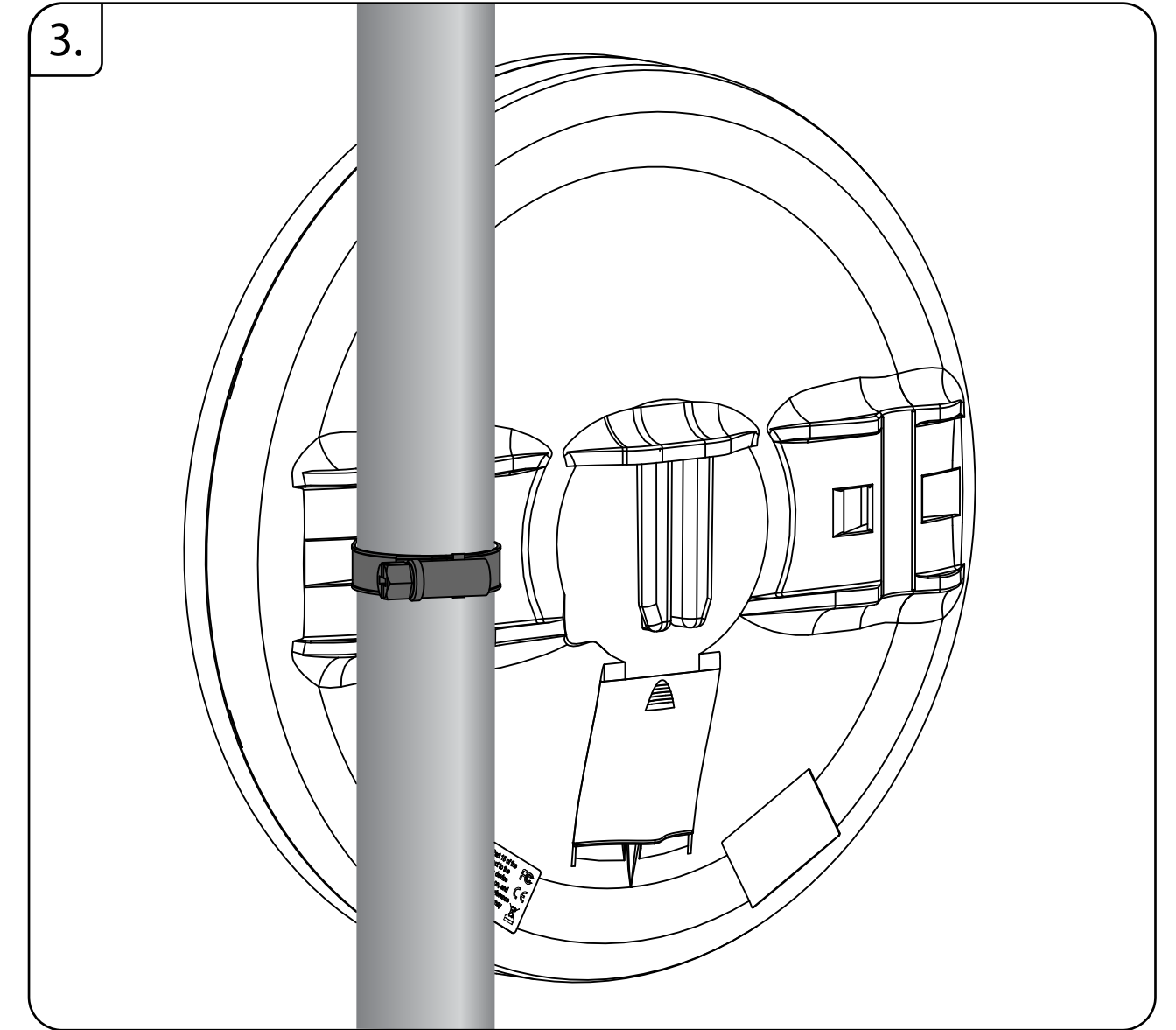


1. Disc-5 is attached to the pole using dedicated pole mounts on the back of the case. (Marked grey)



2. Mounting surfaces of the product are pressed against the pole



3. Product is secured using supplied hose clamp. To get best alignment, hose clamp is tied gently, so the product can rotate around the pole. When alignment is set, hose clamp is tied using more force, so that product is not rotating and can withstand wind gusts.