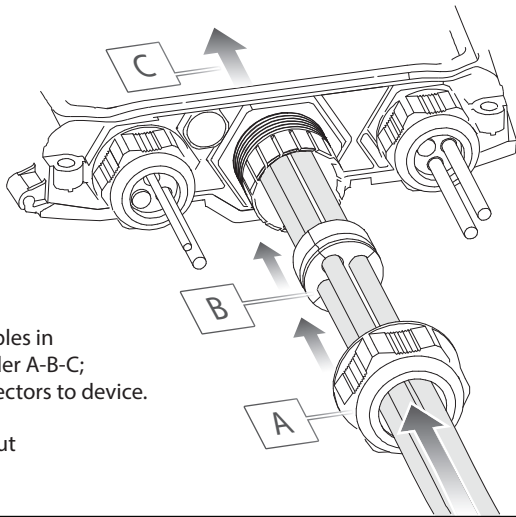


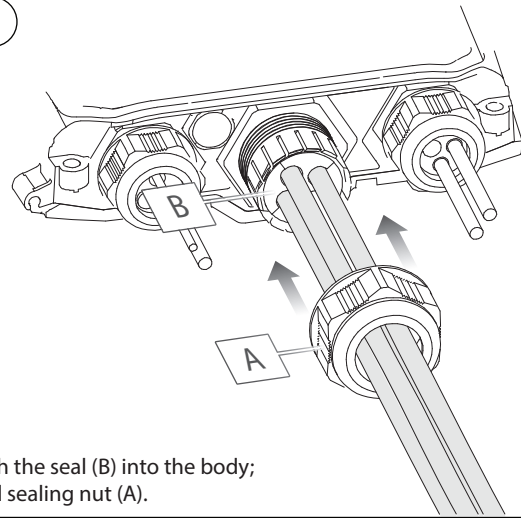
1



Insert the cables in  
the given order A-B-C;  
Plug in connectors to device.

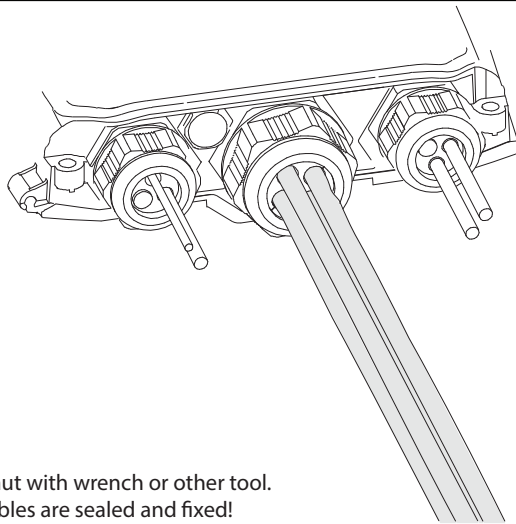
A - Sealing Nut  
B - Seal  
C - Body

2



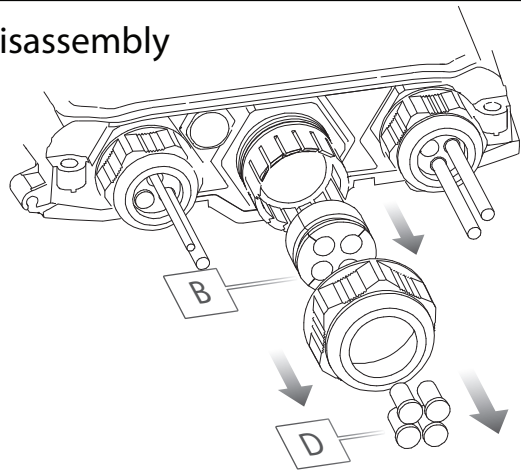
Push the seal (B) into the body;  
Add sealing nut (A).

3



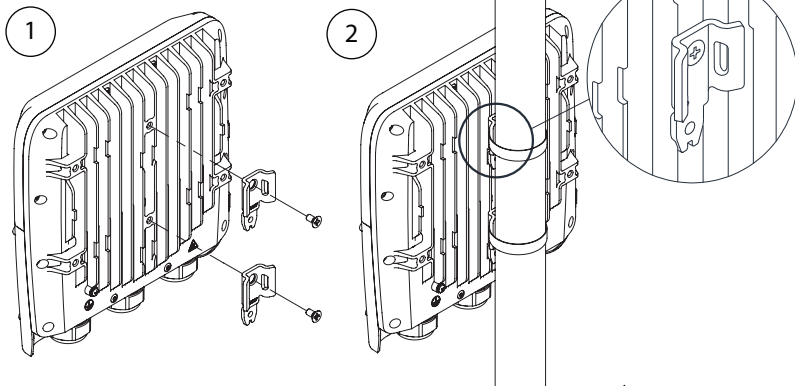
Tighten the nut with wrench or other tool.  
Make sure cables are sealed and fixed!

## Disassembly



Use the sealing plugs (D) for unused holes (B).

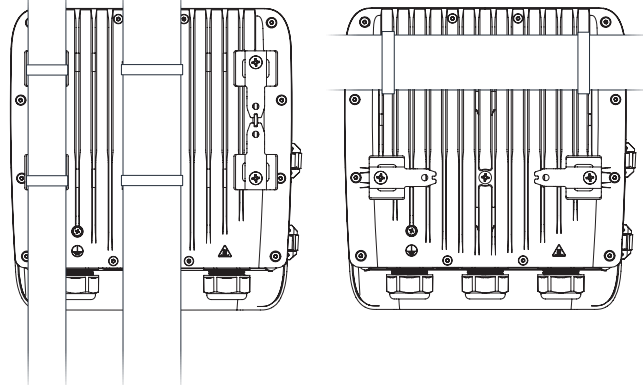
## Pole mounting



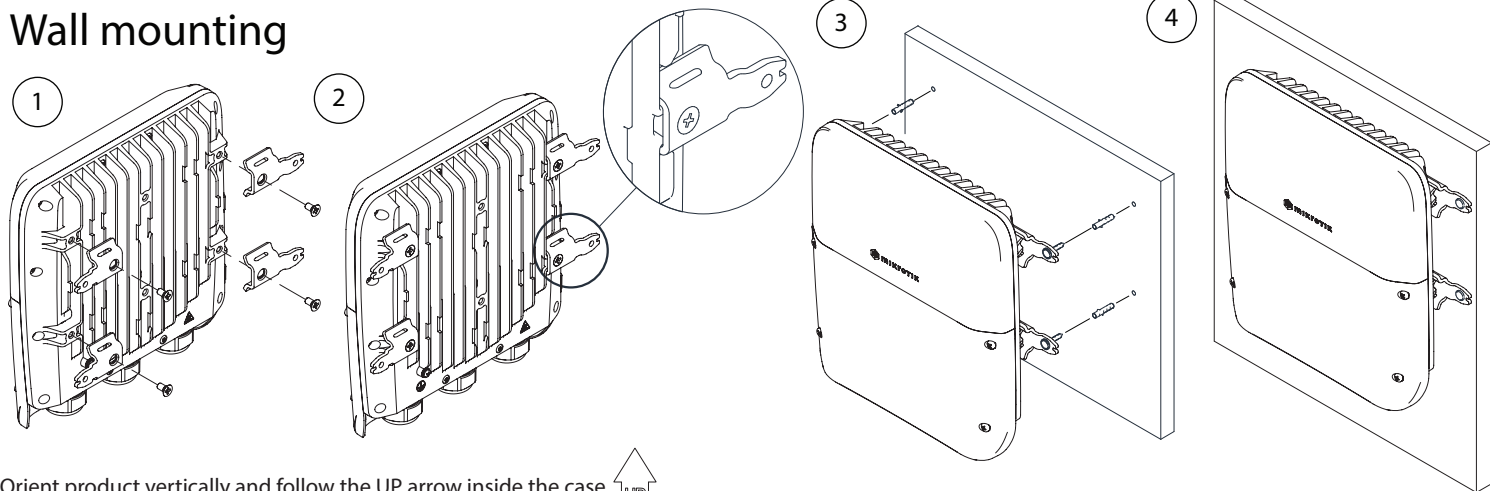
\* Orient product vertically and follow the UP arrow inside the case



## Pole mounting options



## Wall mounting



\* Orient product vertically and follow the UP arrow inside the case

