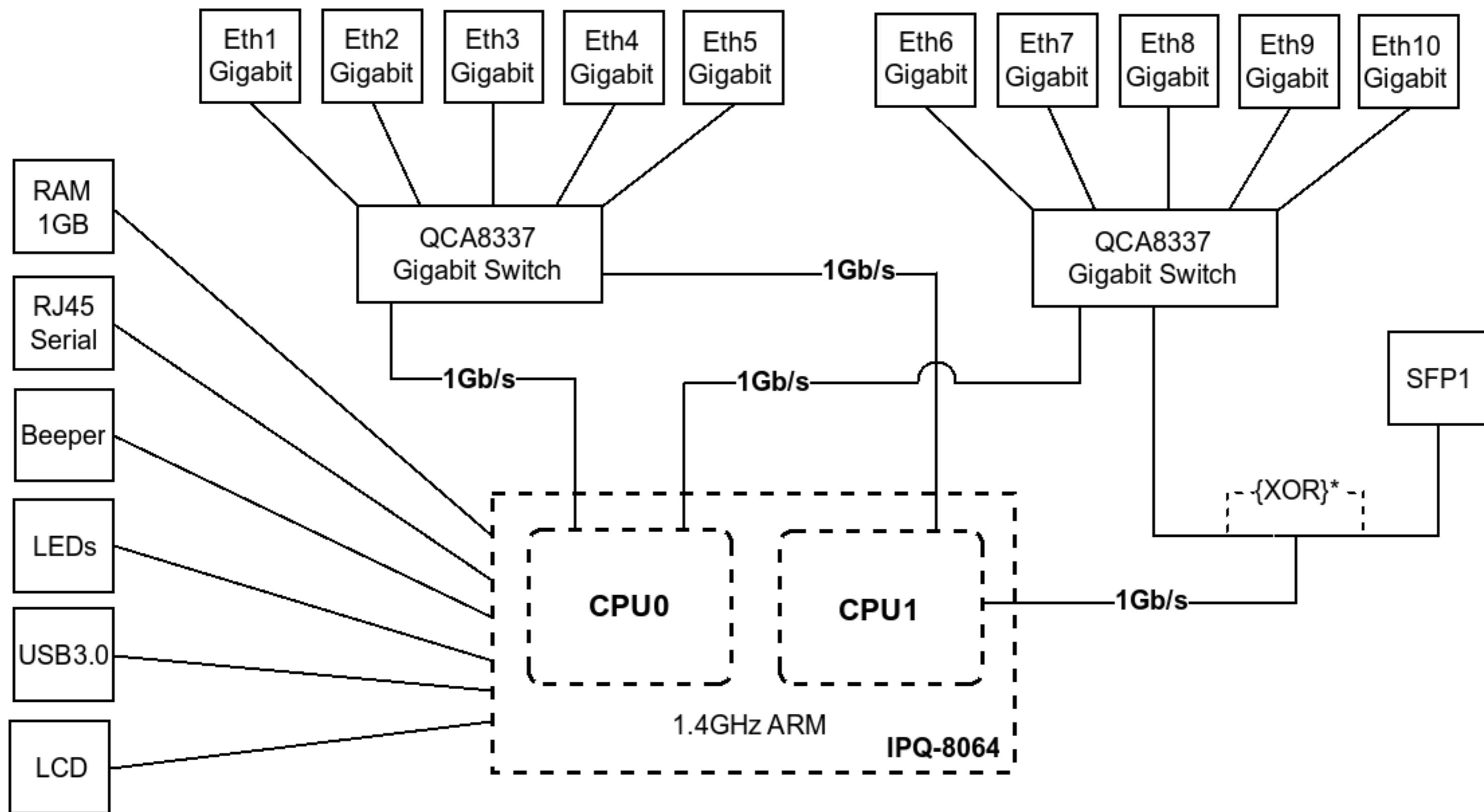


# RB3011UiAS



\* Switch chip 2 (Eth6 - Eth10) has 2Gb/s aggregated lane to CPU until SFP module is inserted in the SFP1