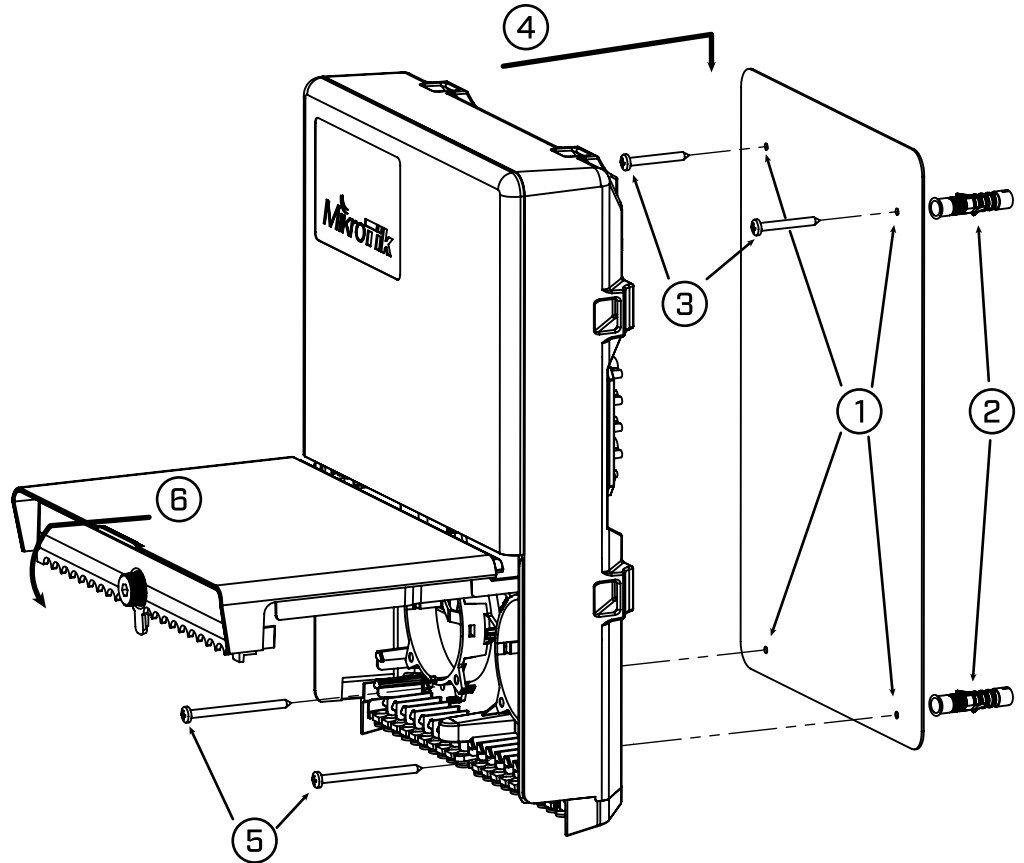


WALL

1. Use template to mark drilling holes.
2. Plug plastic anchors in drilled holes. (x4)
3. Fasten 2 screws into the wall anchors, leaving around 1cm offset from the wall.
4. Mount the product to the wall.
5. Fasten to the wall with 2 more screws from inside the case.
6. Close the lid.



MAST/POLE

Fix the product to the mast/pole at **two positions** using hose clamps.

Notes:

- a.) Please, position the product accordingly to the **UP** arrow.
- b.) Use electrical tape to prevent device from slipping.

